

OPEN / PRINT AS PDF 

TECHNICAL DATA SHEET



Click-Clack Waste (unslotted)

Product Specification

Finishes chrome plated
Material bodies are of all brass construction

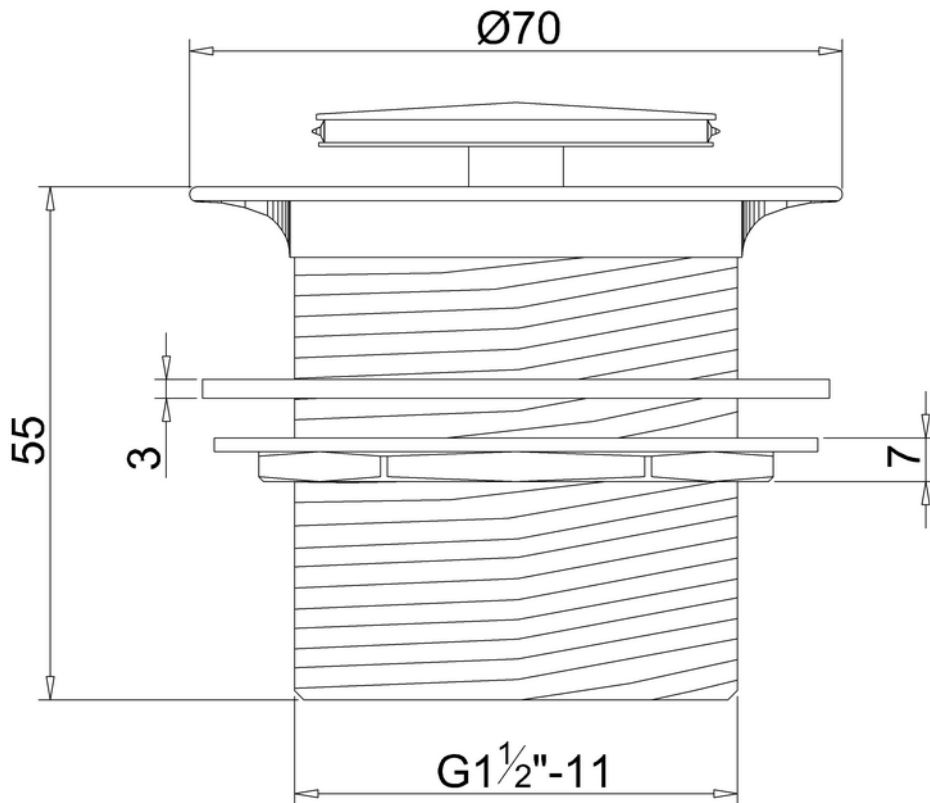
Additional Information Guarantee



See our website for terms and conditions

Compliance / Approvals

EN817 & EN200



All dimensions are in millimetres (mm)